

REDEFINING power & communications MANAGEMENT

## Architectural Technology Infrastructure™

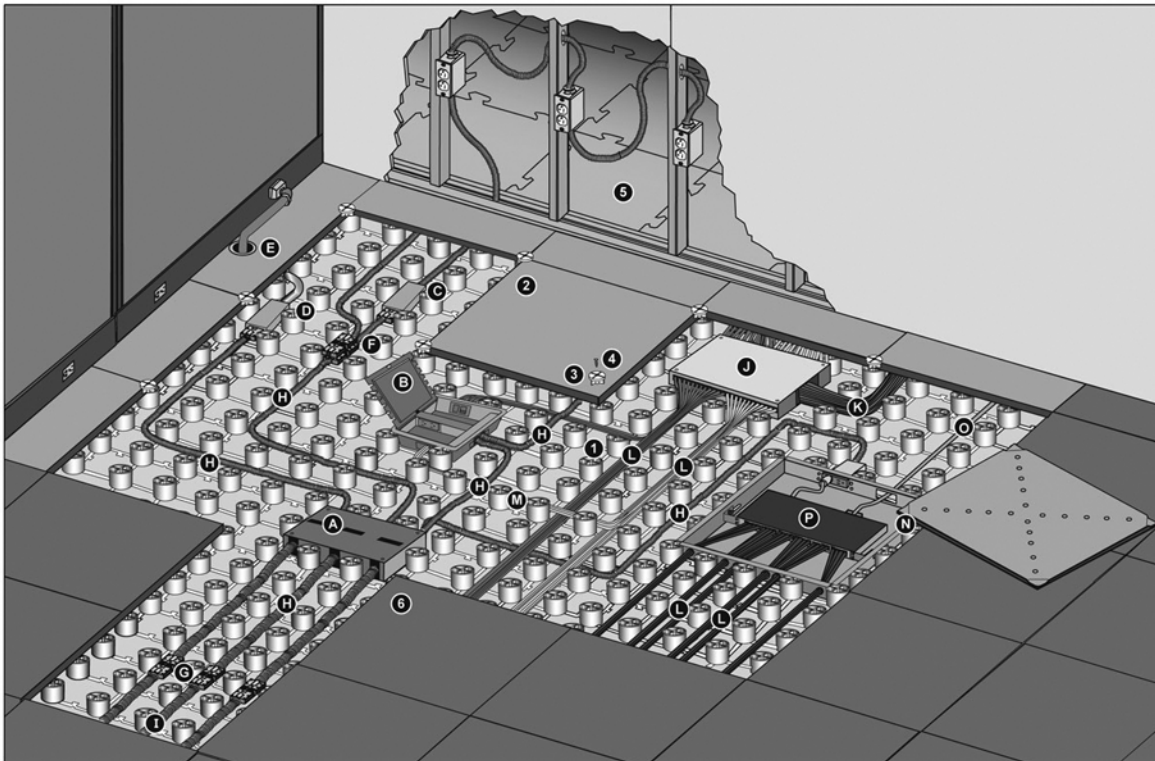
Updated 01-31-08

*Companies can address the most costly aspect of facilities management -- flexible delivery of power and data/com connectivity -- by using Flexspace' Architectural Technology Infrastructure (ATI) Framework to solve mission critical cable management nightmare.*

*With Flexspace ATI Framework, once installed, any 2' x 2' panel in the continuous floor-wide grid can be easily removed so that the organized and documented power and data/com cable structure it houses, can be reconfigured, serviced or upgraded in a fraction of the time and cost required by conventional cable management methods.*

Flexspace' Architectural Technology Infrastructure is the lowest cost, easiest to install cable management system available on the market today.

Companies are facing a growing challenge to reduce operating expenses while simultaneously being required adapt to high rates of workforce churn and meet ever increasing demands of power and data/com connectivity at every desktop. The Flexspace ATI Framework solves this problem by providing highly flexible Architectural Technology Infrastructure (ATI™) based on its patented Cablefloor® cellular flooring system combined with its "plug and play" systems – Poweflex Xcel™ and Netflex™ – for zoned delivery of electrical power and data/com connectivity.



### Cablefloor

- 1 Modular Base
- 2 Access Panel
- 3 Corner Clamp
- 4 Corner Clamp Screw
- 5 Interlocking Vinyl Tile
- 6 Modular Carpet (by others)

### Poweflex Xcel

- A Zone Distribution Box Prewired
- B Flush Lid Service Module Prewired
- C Dual Cell Service Module Prewired
- D Splitter/Junction Box Prewired (interface w/ contractor wired wall box)
- E Splitter/Junction Box Prewired (interface w/ furniture system power feed)
- F Circuit Cable Splitter 4-Way
- G Circuit Cable Set
- H Multi-circuit zone cable from circuit panel (by others)

### Netflex

- I Universal Network Zone Distribution Box
- J Data/com cable main bundle (by others)
- K Patch cord to data/com device (by others)
- L Homerun data/com cable to access box termination (by others)

## Flexspace ATI Framework™ Equals Organized Flexibility

Flexspace has designed the framework around zone distribution and modular “plug and play” power and communication cable structure which provides the ultimate in organized flexibility. The Flexspace solution is the foundation that transforms a facility from one of high cost obsolescence to one that is on the leading edge of technology, operationally efficient, and adaptable to whatever technology or organizational demands may arise in the future.

### Ultimate Turnkey End-to-End Solution

Flexspace unique product and service offering for power and data/com cable infrastructure management combines “first cost” effectiveness with optimum operational efficiency; the ultimate turnkey end-to-end solution. The following are the key components of the Flexspace ATI Framework:

**Cablematrix Planning™** -- a unique three-level service offering and proven methodology that defines the optimal installation of the Flexspace Cablefloor cellular access floor, preferred structure for all horizontal high and low voltage cable runs, accurate calculation for all material and labor requirements, installation documentation for the trades, and post-installation documentation for rapid access to perform maintenance and MACs (moves, adds changes).

**Cablefloor®** -- a low profile (2.5 inches), non-metallic modular floor structure that provides the lowest cost architectural infrastructure for power and data/com cable Management. Cablefloor was designed specifically for building retrofit and perfect for new construction.

**Powerflex Xcel™** -- a zone distributed “plug and play” electrical power system, Powerflex Xcel provides secondary consolidation of up to (12) 20 AMP circuits in under floor zone distribution through pre-wired modular components available in 4 different circuit configurations. Powerflex Xcel can interface with hard wired receptacles in constructed walls built on a or adjacent to Cablefloor, factory wired systems in modular full height wall systems and modular furniture or Powerflex Xcel floor mounted access boxes.

**Netflex™** -- passive and active data/com zone distribution provides secondary multi-port consolidation throughout the work station environment. Netflex Zone Distribution, as a component of Flexspace ATI, provides the ultimate efficiency for moves, additions and changes and an ideal infrastructure for network security and service.

**Flextech™** -- turnkey project management and installation service provides consultation, project management and/or installation services implemented through our local certified partner/dealer network. Flextech is a service package designed to produce first cost efficiency through a single resource for turnkey installation of the Flexspace ATI Framework.

To learn more about Flexspace' Architectural Technology Infrastructure, visit [www.cablefloor.com](http://www.cablefloor.com) or contact **Flexspace** A division of Byrne Electrical Specialists **Phone (616) 866-3461**

### About Flexspace

**Flexspace** A division of Byrne Electrical Specialists is redefining the distribution and management of electrical power and communications connectivity in the architectural spaces where we work and learn through its products, services and partners; ensuring that its customers can rapidly adapt to new technology and organizational dynamics at the lowest cost.

Privately held and founded in 1996, **Flexspace** A division of Byrne Electrical Specialists is an Architectural Technology Infrastructure (ATI) company that delivers the most flexible and lowest cost solution for power and communications cable management, independent of space plans, and permanently constructed interior elements. Flexspace' ATI Solutions Framework provides the building blocks for the ultimate platform for future change. The Cablefloor® - cellular flooring system, Powerflex Xcel™ – modular electrical system, Netflex™ – active and passive zone distribution, Cablematrix™ Planning Service and Flextech™ Project Management and Installation Services are the core components of the Flexspace solution. **Flexspace** A division of Byrne Electrical Specialists is the pioneer and leader in delivering modular standards-based ATI solutions that provide immediate end-to-end access to power and communications at the lowest cost.

---

**Flexspace** A division of Byrne Electrical Specialists  
320 Byrne Industrial Drive  
Rockford, MI 49341  
Phone (616) 866-3461  
Fax (616) 866-3129  
[flexspace@byrne-electrical.com](mailto:flexspace@byrne-electrical.com)  
[www.cablefloor.com](http://www.cablefloor.com)

This document is provided for informational purposes only, and the information herein is subject to change without notice. Please report any errors herein to **Flexspace** A division of Byrne Electrical Specialists. **Flexspace** A division of Byrne Electrical Specialists does not provide any warranties covering and specifically disclaims any liability in connection with this document.

Flexspace, Cablefloor, Cablematrix, Powerflex Xcel, Netflex, Flextech, Architectural Technology Infrastructure, and ATI Solutions Framework are registered trademarks or trademarks of **Flexspace** A division of Byrne Electrical Specialists. All other company and product names mentioned are used for identification purposes only and may be trademarks of their respective owners.