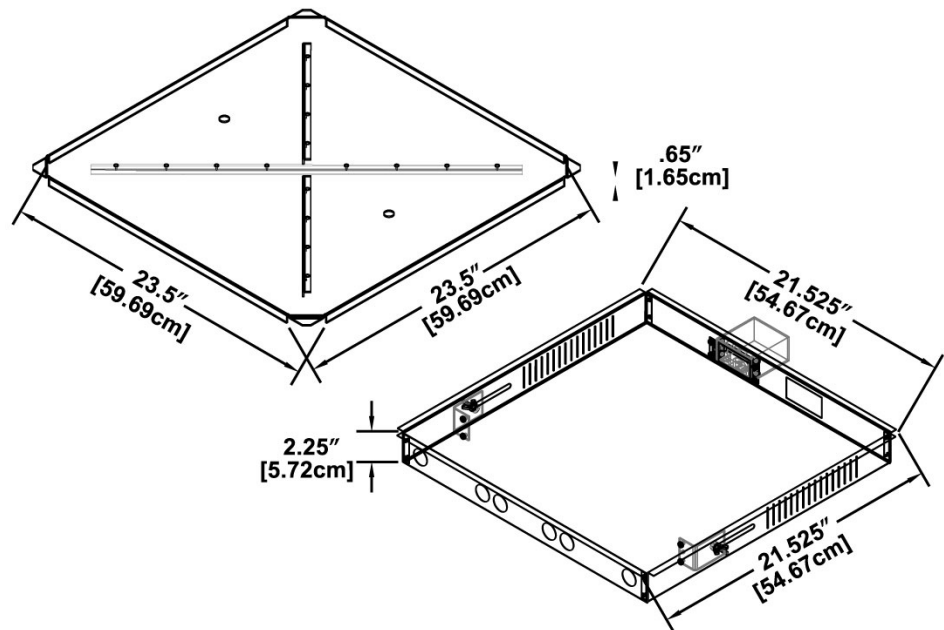
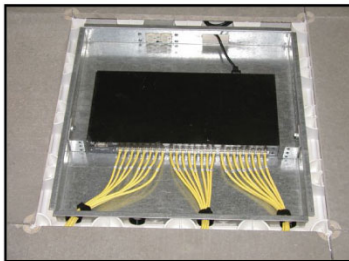


## Netflex™ Active Zone Switch Housing

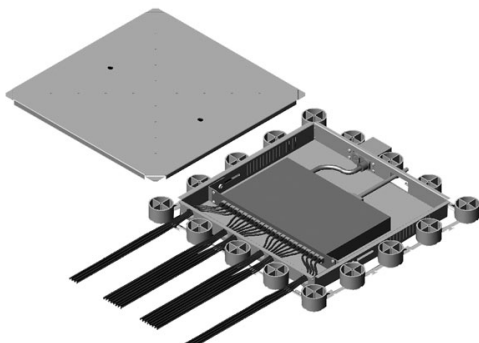
Updated 01-31-08

### System Summary

- Provides protection for any standard, rack mount, 24 port, 10/100/1000 network switch located within Cablefloor in a defined service zone usually 20 feet or less from communication device receptacle location.
- Provides distribution format to extend vertical building fiber optic backbone from floor to floor into horizontal under floor zoned distribution.
- Eliminates 95% of copper wire required for conventional copper wire distribution. (One fiber cable from wire closet to 24 port zone; modified male/female copper patch cord from switch to termination)
- Provides ultimate LAN band width eliminating need to constantly upgrade cabling and connectivity to higher speed copper cabling at increasingly higher cost.
- Significantly reduces or eliminates floor space typically devoted to intermediate distribution frames.
- Effectively eliminates concern regarding NEC 2002 code change requiring removal of all discontinued low voltage cable from commercial buildings.



### XAZSH Active Zone Switch Housing | NETFLEX COMPONENTS



#### Description

- XAZSH is specifically designed to house any standard 24 port Ethernet switch to create active zone distribution in the Cablefloor System.
- Reinforced 8 gauge lid replaces standard Cablefloor Access Panel and provides ultimate protection for switch.
- 16 gauge body is vented for air flow, provides housing for power outlet and features adjustable switch mounting brackets so any depth switch can be centered in Switch Housing.
- 6 one inch knockouts for patch cords to exit to termination locations within floor plan zone.

ORDER SPECIFICATION EXAMPLE: XAZSH